

New  
**Roll**

WALL-MOUNTED LUMINAIRE

**ARON**  
LIGHT



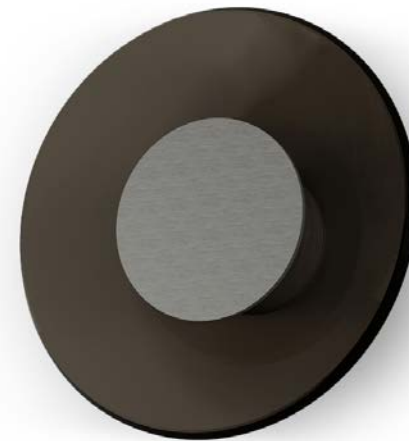


New

# Roll

WALL-MOUNTED LUMINAIRE

This luminaire made from darkened glass and aluminium, makes this piece conveys a sense of sophistication and modernity.



ARON  
LIGHT

# TECHNICAL

## Information

Wattage: 18W

---

Color Temperature: 2700K

---

Total Luminous Flux: 264lm

---

Luminous Efficacy: 15lm/W

---

Beam Angle: 360°

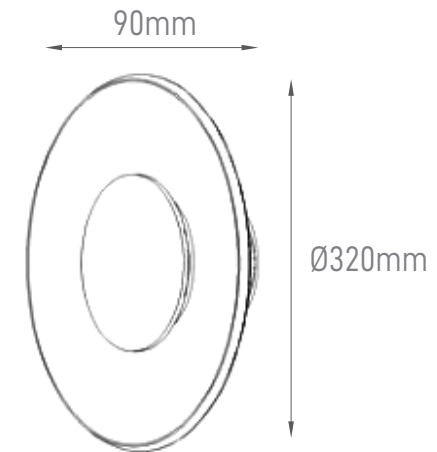
---

Body Material: Aluminium + Glass

---

SKU: ILAR-02227

---



# ARON

LIGHT

**ACCESS THE PRODUCTS ON OUR WEBSITE**

