

New
Natan
OUTDOOR SOLAR



ARON
LIGHT

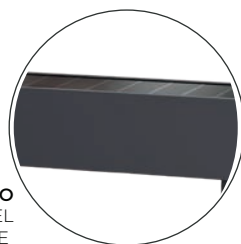


New Natan Solar

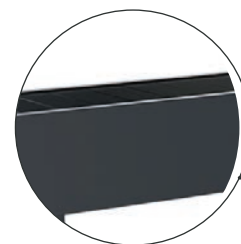
3CCT/RGB

The Natan family presents new solar models, the single and quadruple with a black finish and available in 3CCT and RGB versions.

NATAN QUADRUPLO
SOLAR PANEL
MONOCRYSTALLINE
SILICON 4.32 9W



NATAN SINGLE
SOLAR PANEL
MONOCRYSTALLINE
SILICON 4.32 2.38W



ARON
LIGHT

TECHNICAL

Information

Wattage: 6W

Color Temperature: 3CCT/RGB

Total Luminous Flux: 880lm

Luminous Efficacy: 147lm/w

Solar Panel: Monocrystalline Silicon 4.32 9W

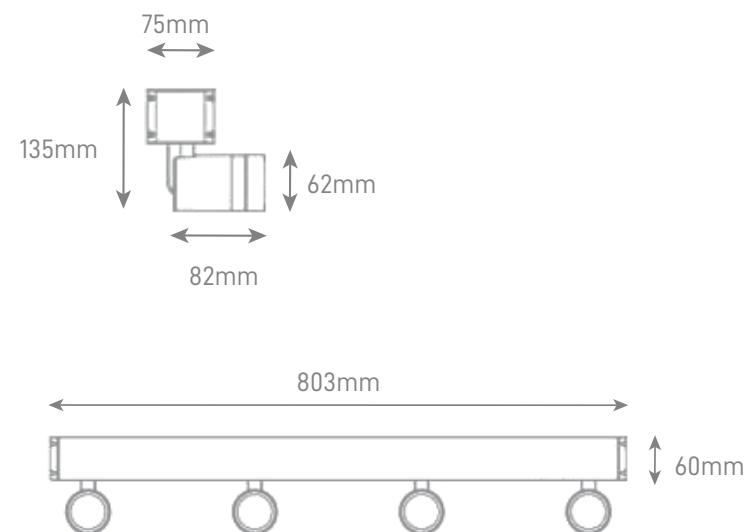
Body Material: Aluminium

Mounting Type: Wall

SKU: ILAR-02298 (3CCT)

SKU: ILAR-02299 (RGB)

Natan Quadruplo



TECHNICAL

Information

Wattage: 1.5W

Color Temperature: 3CCT/RGB

Total Luminous Flux: 220lm

Luminous Efficacy: 147lm/w

Solar Panel: Monocrystalline Silicon 4.32 2.38W

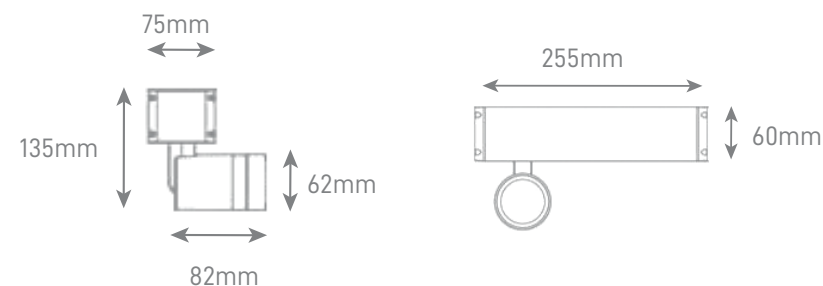
Body Material: Aluminium

Mounting Type: Wall

SKU: ILAR-02300 (3CCT)

SKU: ILAR-02301 (RGB)

Natan Single



ARON
LIGHT

ACCESS THE PRODUCTS ON OUR WEBSITE

