

New
Sunya
BOLLARD SOLAR

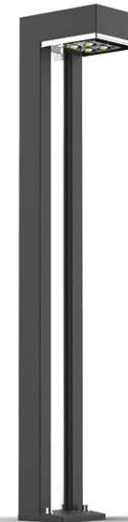
ARON
LIGHT



New Sunya

BOLLOARD SOLAR

Introducing the new bollard solar SUNYA ,
a modern and sustainable solution for urban
and landscape lighting.



ARON
LIGHT

TECHNICAL

Information

Wattage: 2W

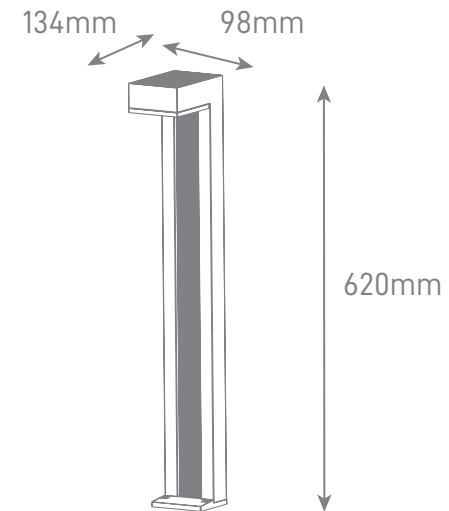
Color Temperature: 3000K

Total Luminous Flux: 100lm

Luminous Efficacy: 50lm/w

Body Material: Aluminum + Panlite PC

SKU: ILAR-02293



ARON

LIGHT

ACCESS THE PRODUCTS ON OUR WEBSITE

